

TOUCAN 10E

MAST BOOM LIFT

JLG
reachingout®

Performance

Working Height	10.10 m
Platform Height	8.10 m
Working Outreach	3.38 m
Up and Over Height	6.51 m
Swing (not continuous)	345 Degrees
Platform capacity	200 kg (2 persons indoor and outdoor)
Jib-Overall Length	1.60 m
Jib-Range of Articulation	126° (+65°/ -61°)
Standard Platform Size (L x W)	0.70 x 0.90 m
Drive Speed Lowered	5.5 km/h
Drive Speed Elevated	0.75 km/h
Drive Speed Full Elevation	0.40 km/h
Turning Radius (Outside)	1.99 m
Turning Radius (Inside)	0.55 m
Gradeability	25%
Machine Weight	2,980 kg

Standard Specifications

Power

Electrical System	24V DC
Batteries (AGM)	24V-240A/hr
Charger	24V- 27A
Drive Motors	Dual AC motors
Brakes	Disc

Tyres

Tyres (Non-Marking Solid)	406 x 125 mm
---------------------------	--------------

Hydraulic System

Electrical (Pump) Motor	3 kW 24V DC
Hydraulic System	7.5 L

Standard Features

- Heavy Duty Steel Roller Mast with 345 Degrees Rotation
- Chain Slack Detection System
- 2.5 Degree Tilt Alarm and Indicator Light
- 406 x 125 Solid Non-Marking Tyres
- Passive Pothole Protection System
- 0.99 m Wide Frame
- Lifting/Tie Down Rings
- Ground Control Selector Switch with Key Lock
- Battery Discharge Indicator
- Hourmeter
- Horn
- Drive Orientation System
- Lanyard Anchor Points
- Zenon Strobe Light
- Acoustic Alarm
- Manual Descent System
- Brushless AC Drive Motors
- On Board Diagnostics with Integral Display

Accessories & Options

- 8 mm Air Line to Platform
- Platform Work Lights
- AC Outlet to Platform with ELCB



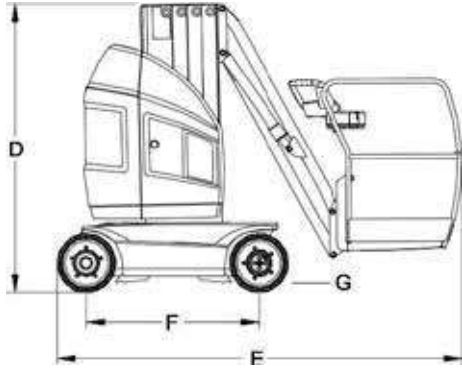
TOUCAN 10E

MAST BOOM LIFT

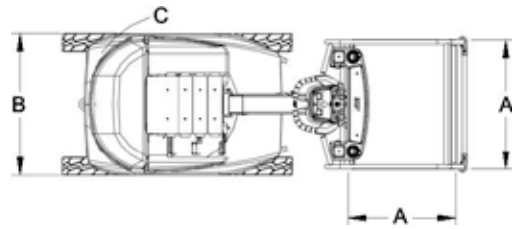


Dimensions

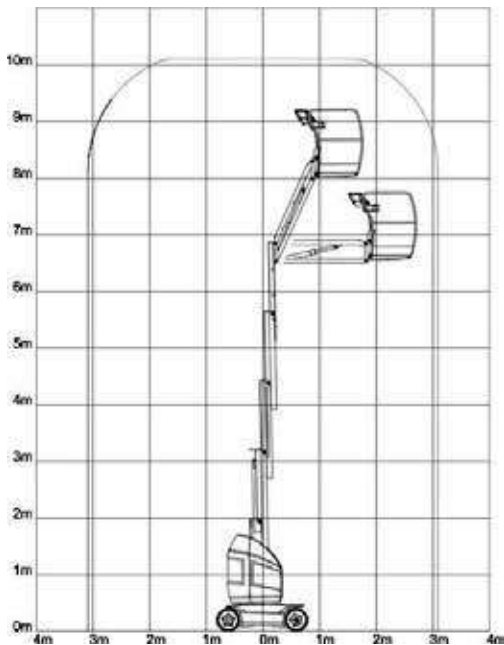
All dimensions are approximate.



A. Platform size standard platform (L x W)	0.70 x 0.90 m
B. Overall width	0.99 m
C. Tailswing	12 cm
D. Stowed height	1.99 m
E. Overall length	2.82 m
F. Wheelbase	1.20 m
G. Ground clearance	10.0 cm



Reach Diagram



The JLG "1 & 5" Warranty

JLG Industries, Inc. backs its products with its exclusive "1 & 5" Warranty. We provide coverage on all products for one (1) full year and cover all specified major structural components for five (5) years. Due to continuous product improvements, we reserve the right to make specification and/or equipment changes without prior notification. This machine meets or exceeds AS/NZS 1418.10 2011 as originally manufactured for intended applications.



JLG Industries (Australia)

358 Park Road
Regents Park, NSW 2143
Telephone 02 8718 6300
Fax 02 8718 6377

www.jlg.com.au

An Oshkosh Corporation Company